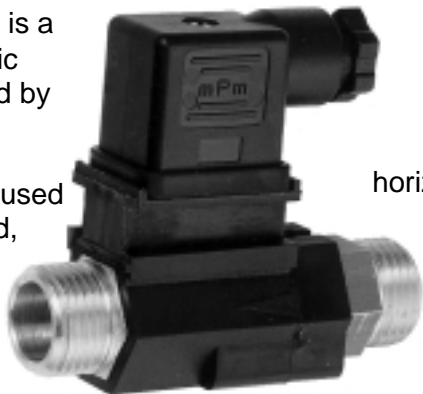


The sensitive element of **FCM**

Flow switches is a calibrated magnetic piston that, pushed by the moving fluid, intercepts a Reed electric contact housed in the electric head, which is fixed to the flow switch body by means of a slip joint.

This peculiarity allows to easily replace the contact without hydraulically removing the instrument.

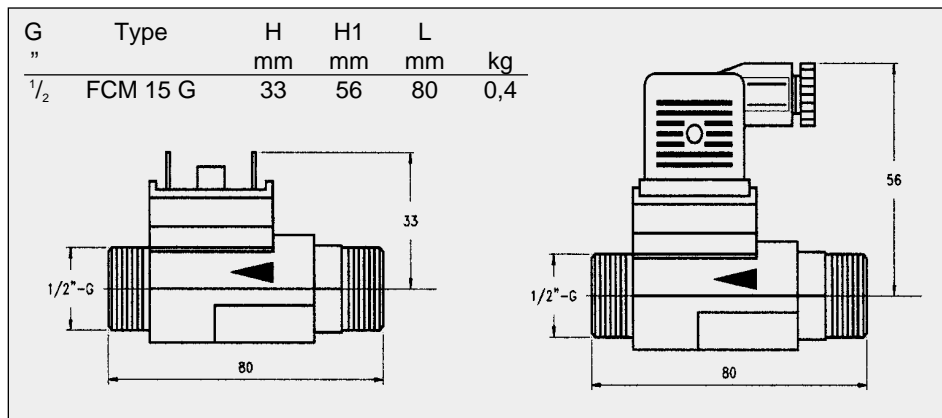


Version FCM 15 GV was conceived to work vertically with the flow moving upwards. Version FCM 15 GO may also be mounted horizontally. Two magnets housed outside the flow chamber in this case guarantee the piston return.

Use / Characteristics

- ◆ Easy to use, does not need adjustment.
- ◆ Electric contact easy to replace.
- ◆ Simple assembling.
- ◆ Low pressure loss.
- ◆ Manufactured to function both horizontally and vertically.
- ◆ Used for both liquids and gases.

These instruments are mainly used as safety and control devices for hot water producers, steam cleaners, etc.



Materials	FCM 15 G
Body	OT 58
Piston	PVDF
<u>Electrical characteristics:</u>	
Reed contact N.O.	
300V a.c. / 0,5A / 70VA	
El. Contact Fast-on 6.3 mm	
Protection IP40 (IP65 with protection cap)	
Process connection 1/2" GAS-M	

Gas thread	Size	Type	Max. P bar	Max. t. °C	Set point value l/min (H2O) l/min		Q max. advisable	ΔP at Q max bar	Order n.
1/2	5	FCM 15 GV	15	110	ON	OFF	25	0,5	830700
					1,1	1,0	25	0,5	
					1,6	1,5	25	0,5	
					2,2	2,1	25	0,5	
	3	FCM 15 GO	15	110	2,7	2,6	25	0,5	830703
					3,2	3,1	25	0,5	
					3,1	2,5	25	0,5	
					4,0	2,9	25	0,5	
	2	FCM 15 GO	15	110	5,2	4,0	25	0,5	830707
					6,5	5,9	25	0,5	
					7,3	6,0	25	0,5	
					3,2	2,6	25	0,5	
1	FCM 15 GOV	15	110	4,0	3,2	25	0,5	830711	
				5,7	5,3	25	0,5		
				5,7	5,3	25	0,5		
IP65 protection kit for electrical contacts								830720	

SEE UPDATED PRICE LIST

Precision ± 10%

- FCM 15 GV = Instrument without return magnets, suitable only for vertical assembling.
- FCM 15 GO = Instrument provided with return magnets horizontally assembled.
- FCM 15 GOV = Instrument provided with return magnets vertically assembled.